

STAR-R&STAR-L Installation instructions



Right



Left

SIZE : 120*80*216 CM

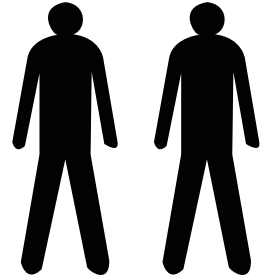
SIZE : 80*120*216 CM

STAR-L&STAR-R Installation instructions

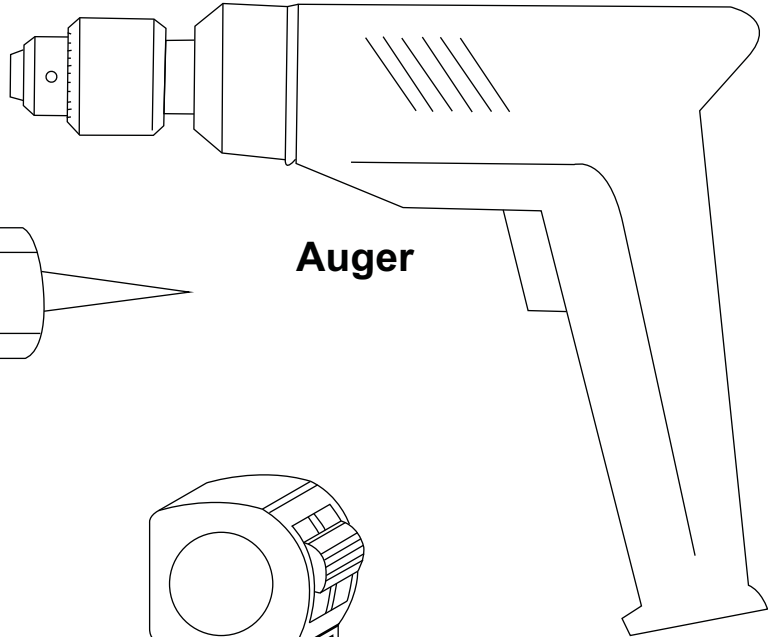
TOOLS REQUIRED (NOT SUPPLIED)

when you're ready to start, make sure that you have the following tools to hand, plenty of space and a clean dry area for assembly.

Two people are needed. Please note: although these instructions are comprehensive, We always recommend that a technically competent installer should undertake installation.

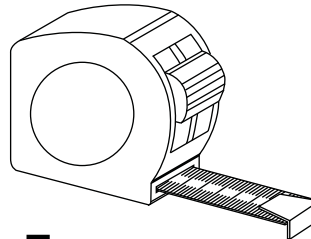
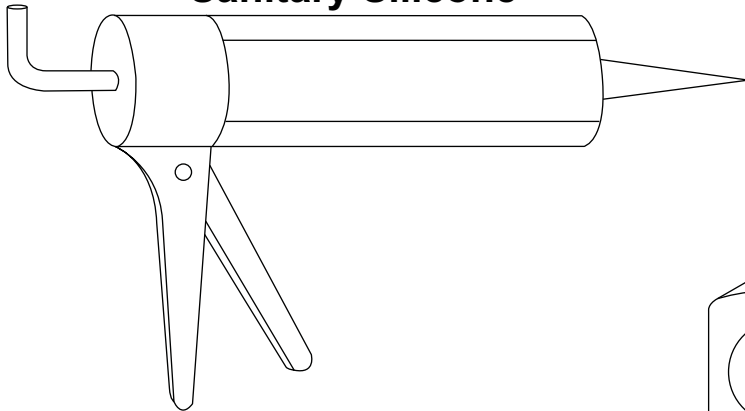


**Drill beat head
4mm**

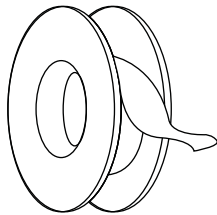


Auger

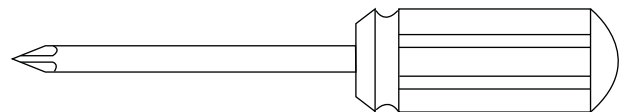
Sanitary Silicone



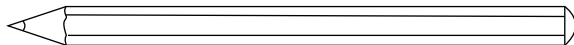
Tape measure



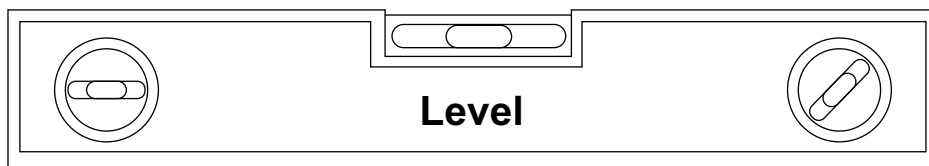
PTFE tape



Magnetic crosshead screwdriver

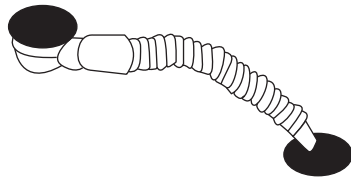
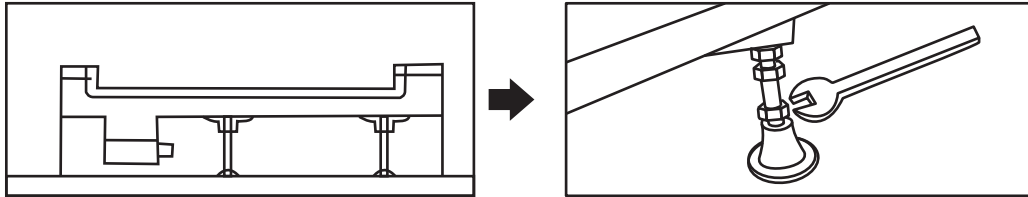
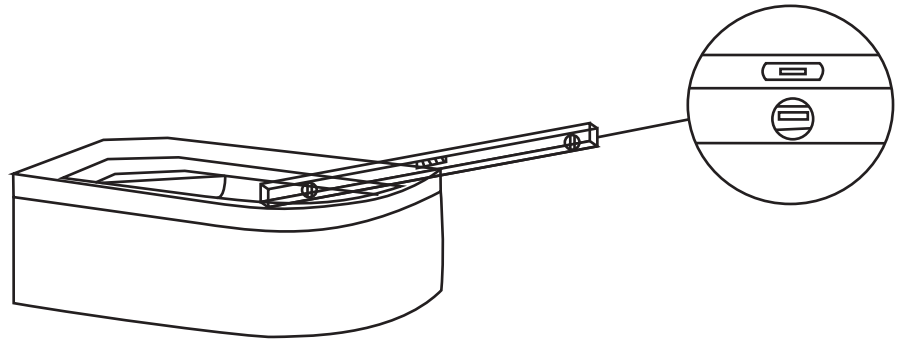


Pencil

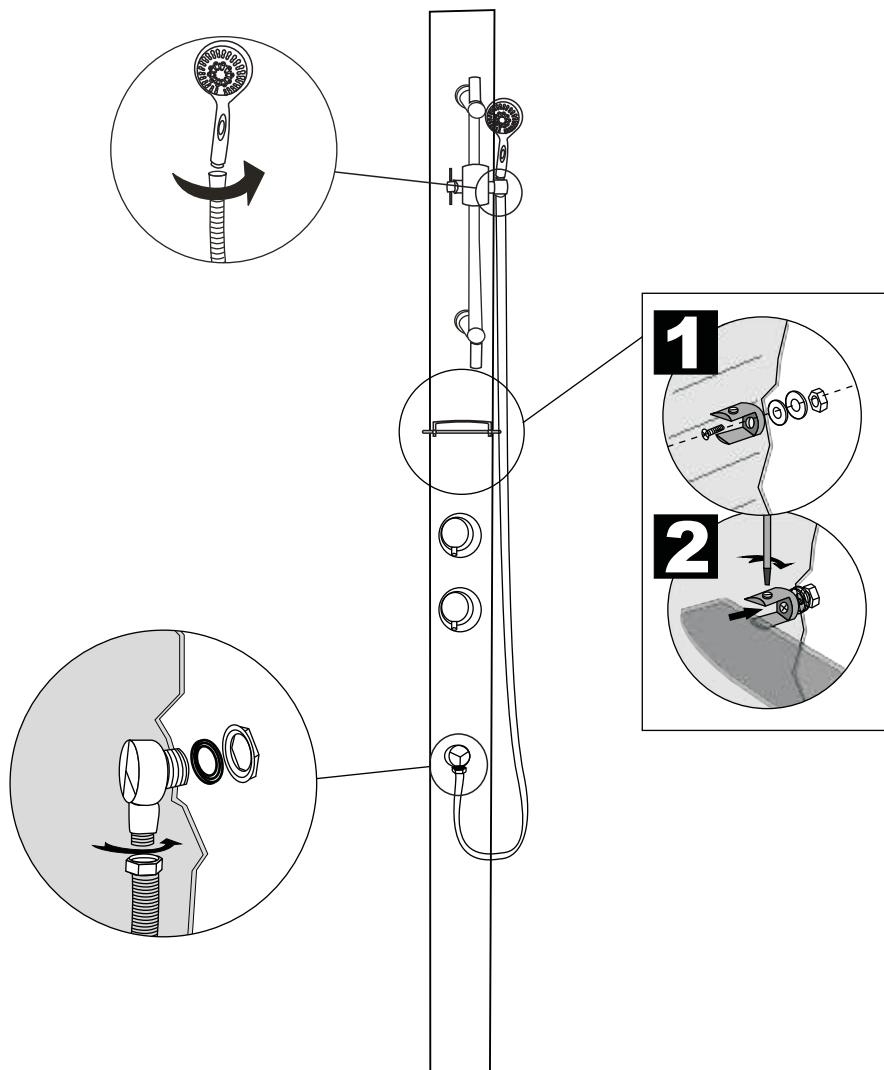


Level

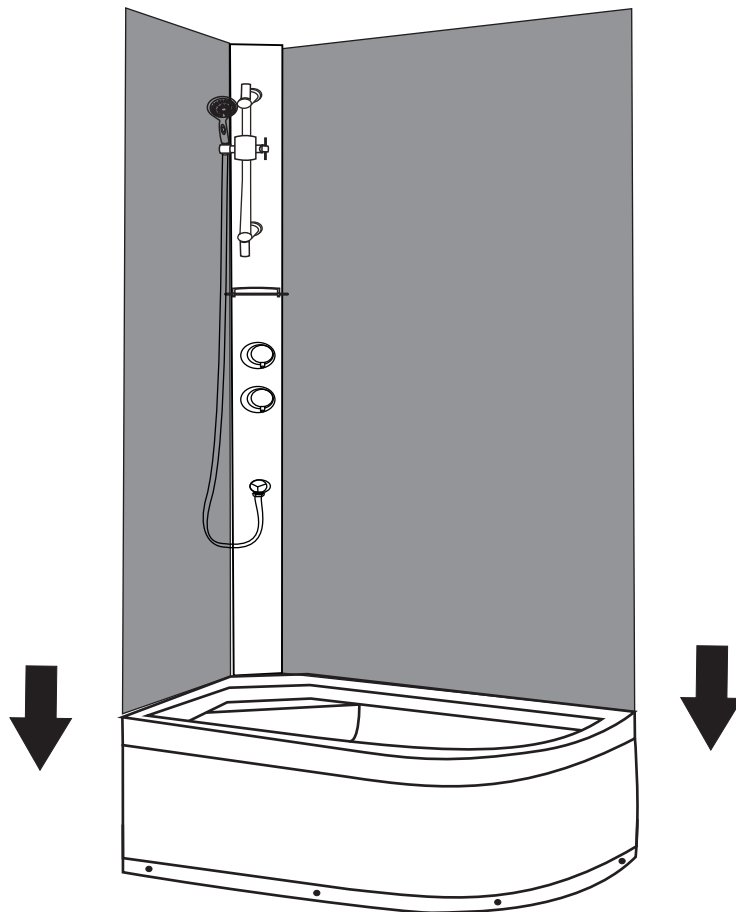
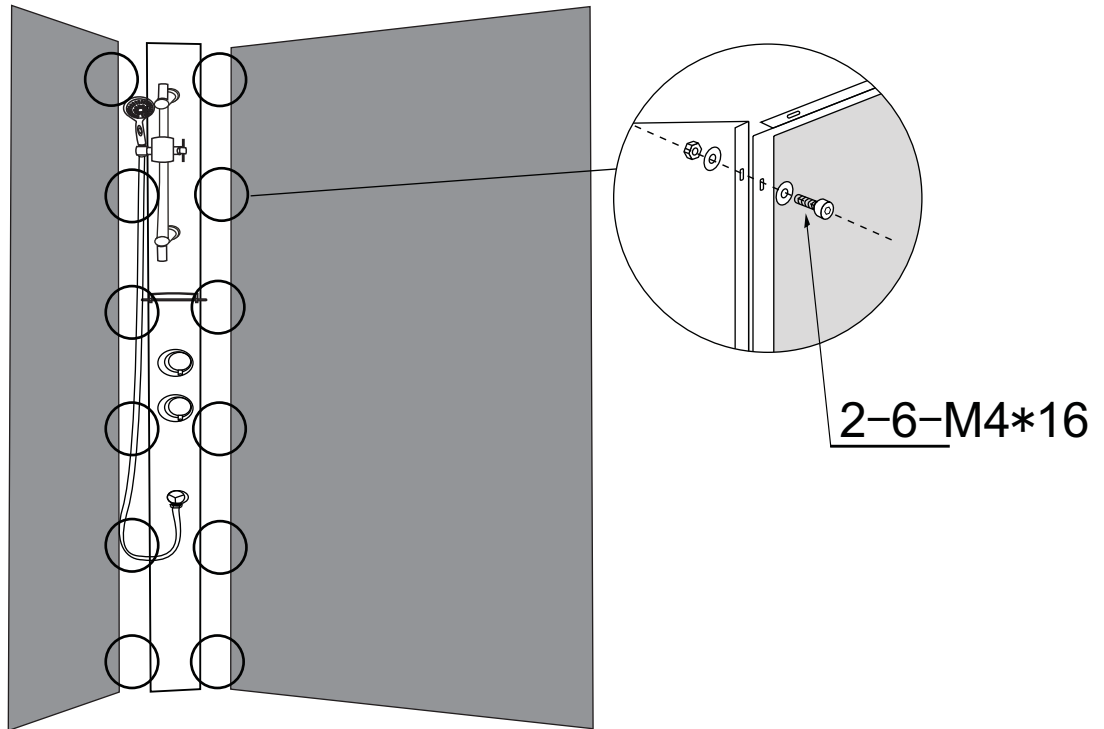
STAR-L&STAR-R Installation instructions



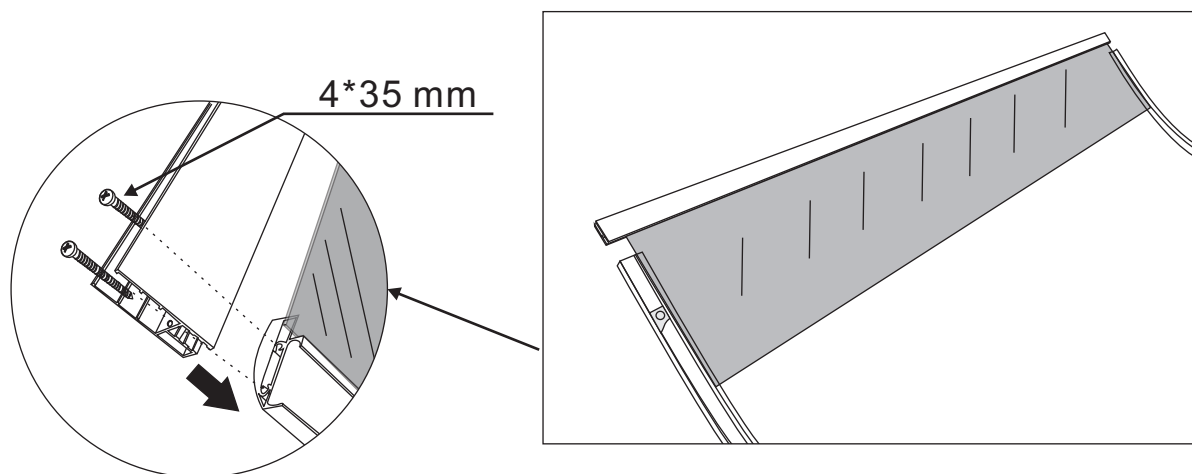
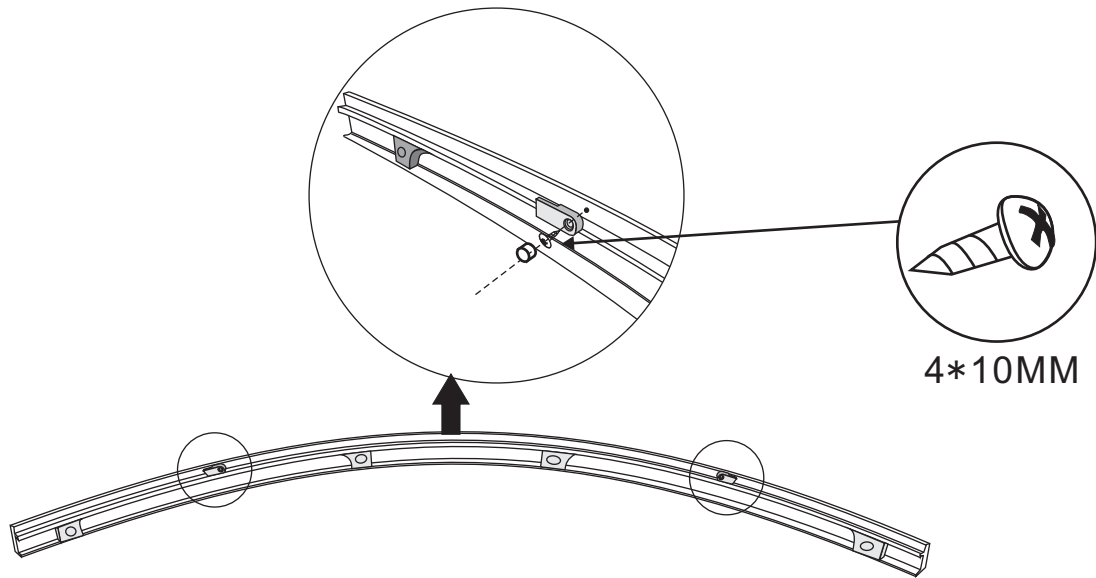
Lift the rear part of bottom basin, and then insert one end of the pipe into the drainage hole



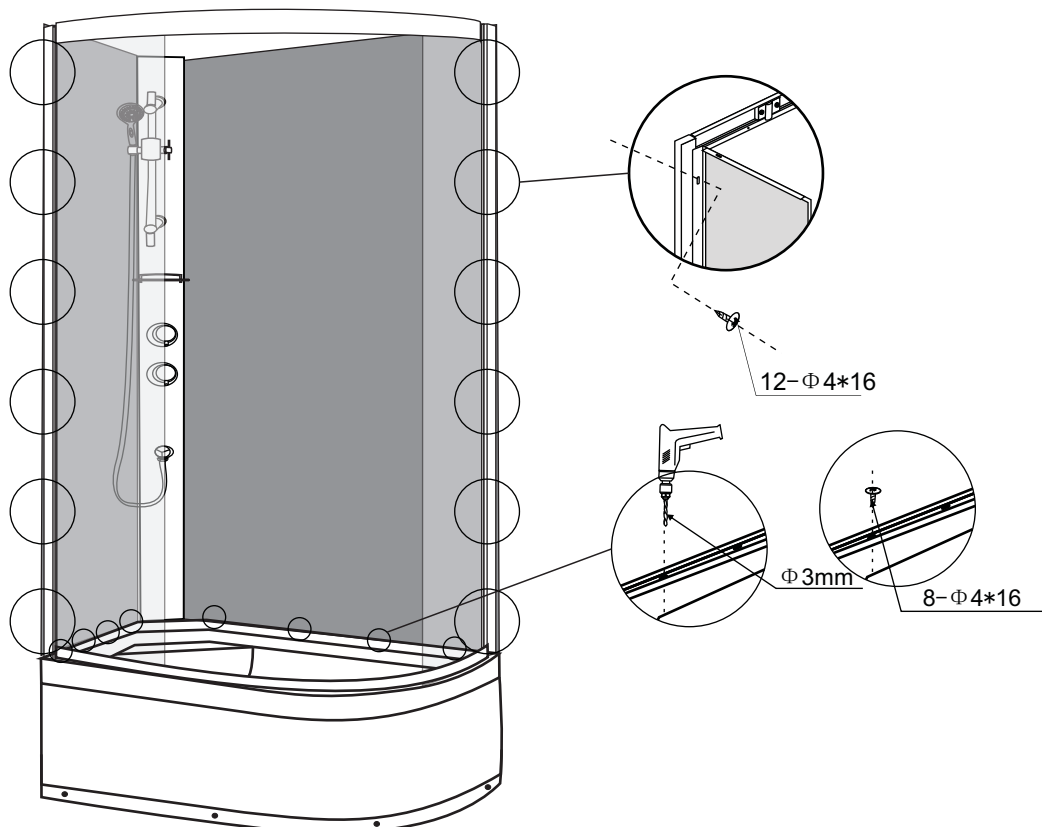
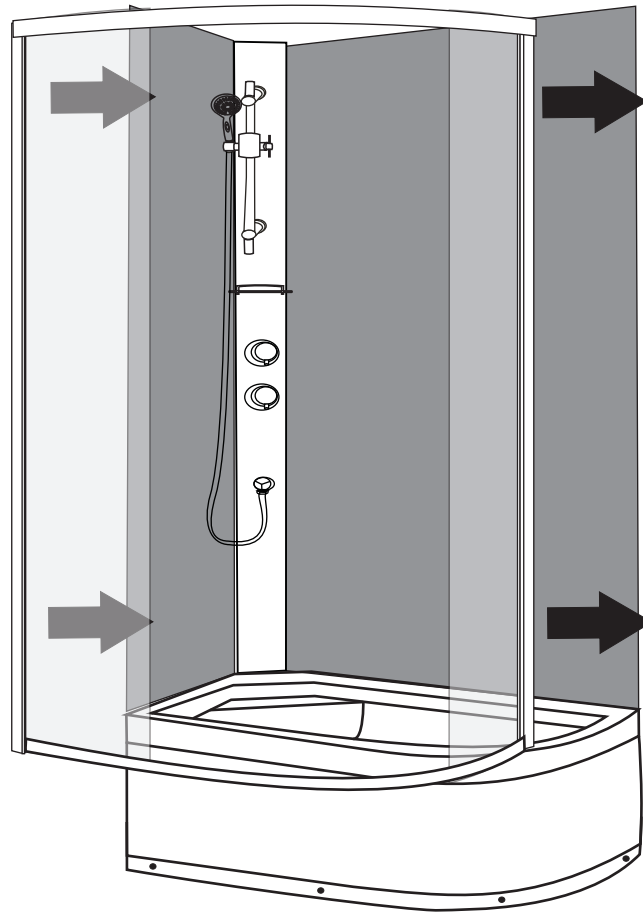
STAR-L&STAR-R Installation instructions



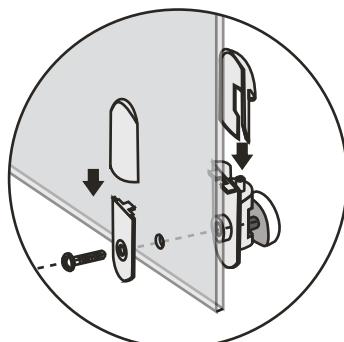
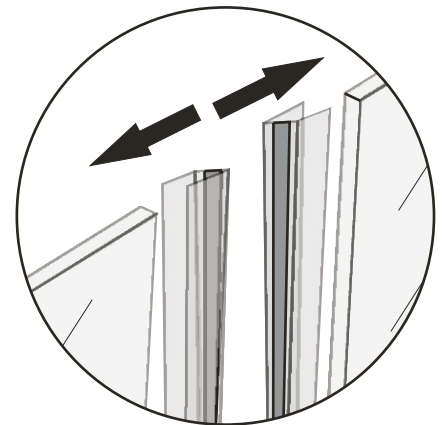
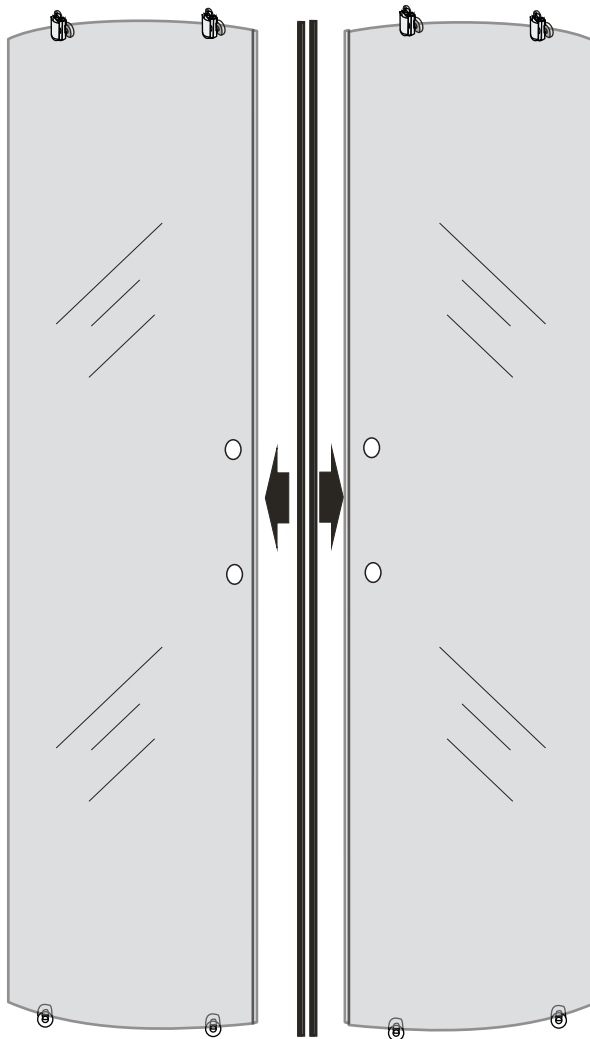
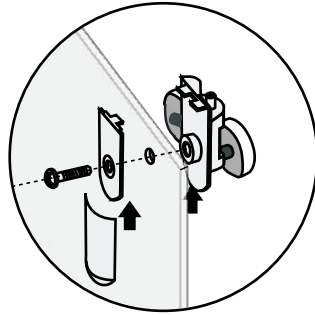
STAR-L&STAR-R Installation instructions



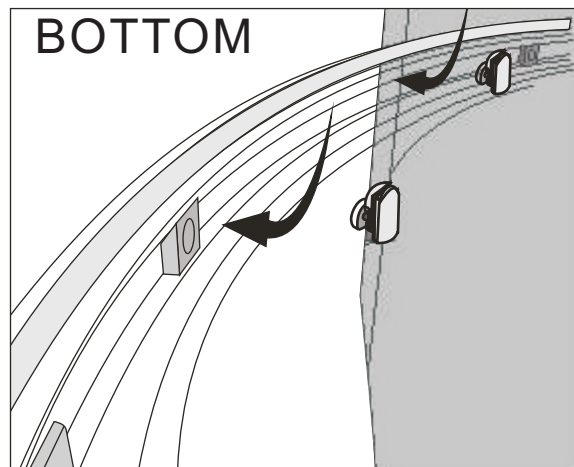
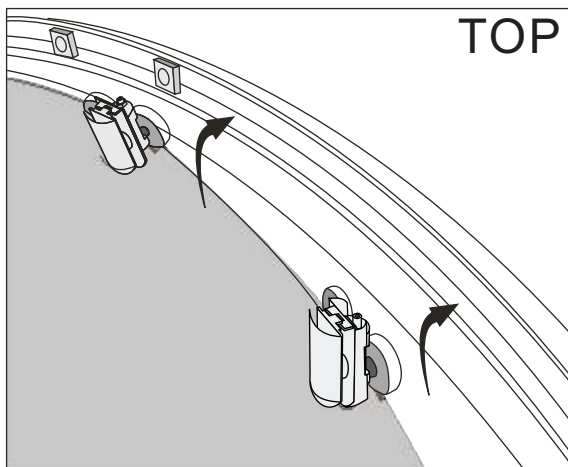
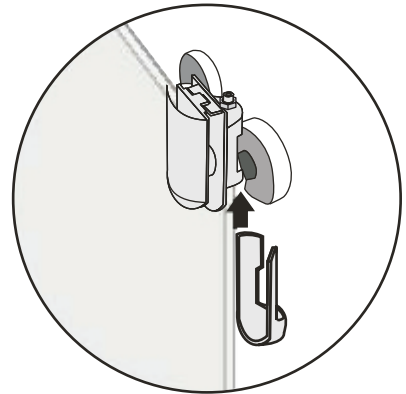
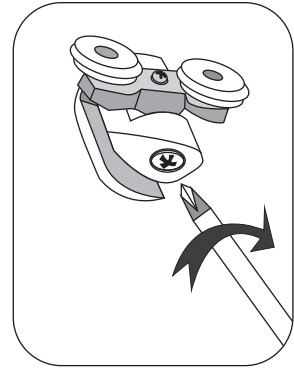
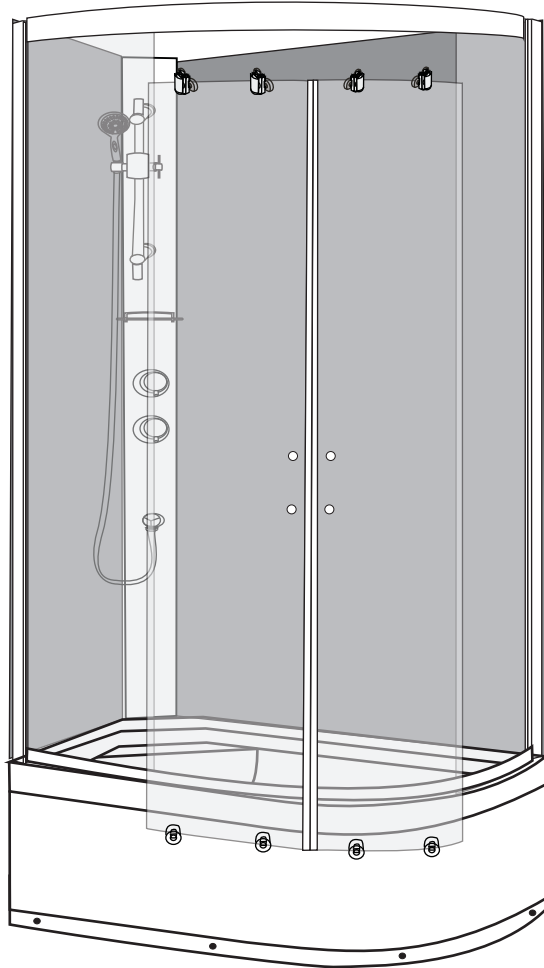
STAR-L&STAR-R Installation instructions



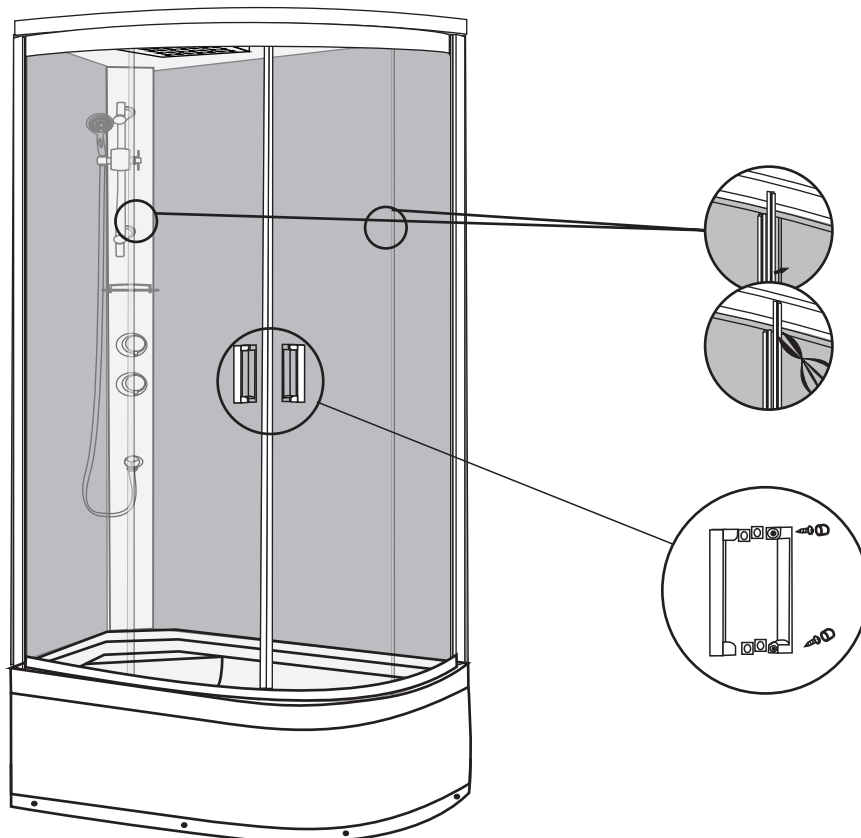
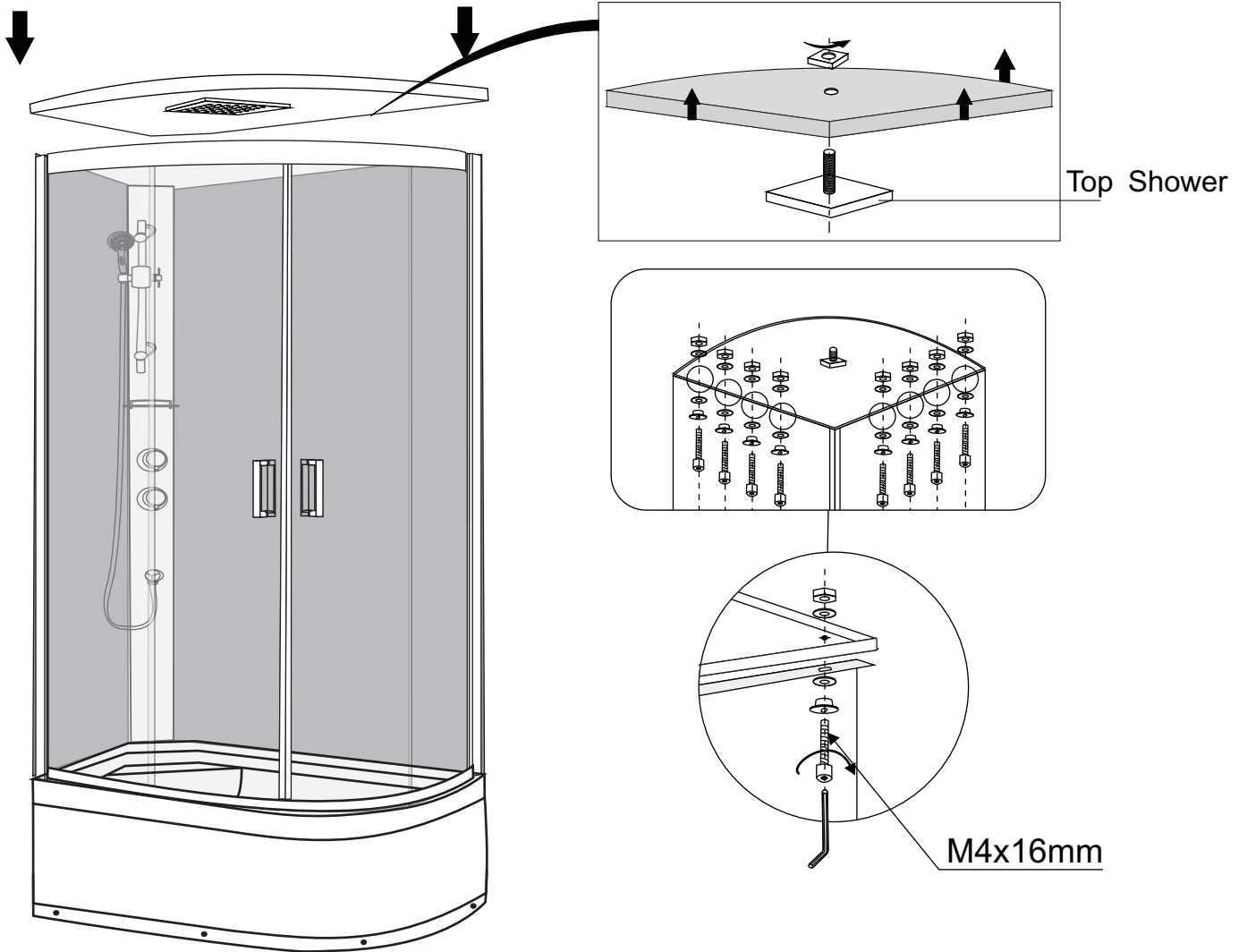
STAR-L&STAR-R Installation instructions



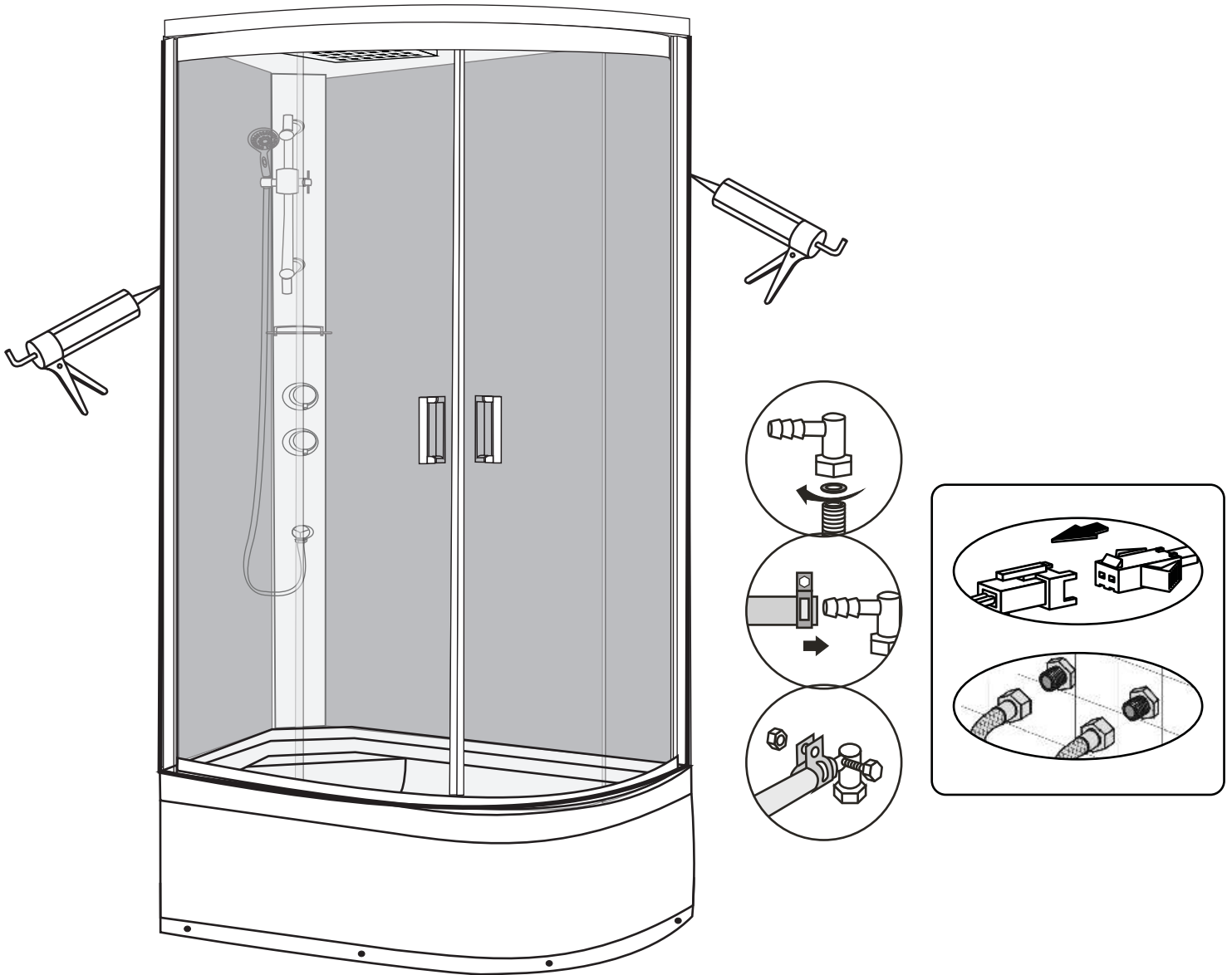
STAR-L&STAR-R Installation instructions



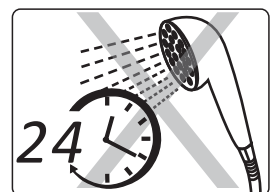
STAR-L&STAR-R Installation instructions



STAR-L&STAR-R Installation instructions



connect the electrical wire of bungalow, power and etc. correctly, connect the hose of head shower, hot water hose and cold water hose correctly, put the antenna to the top.



STAR-L&STAR-R Installation instructions

