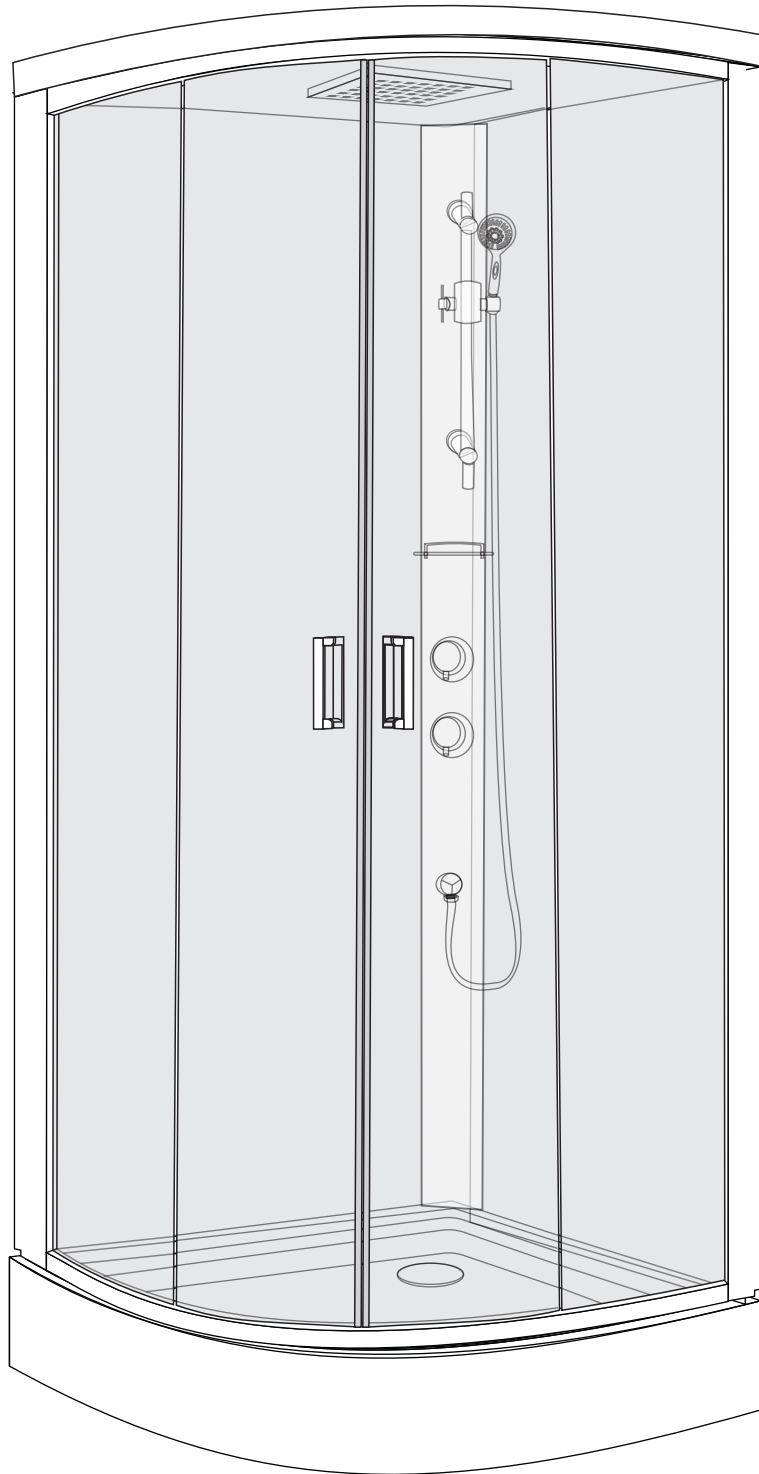


STAR-A

Installation instructions



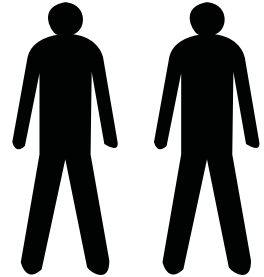
SIZE:90*90*216cm

STAR-A Installation instructions

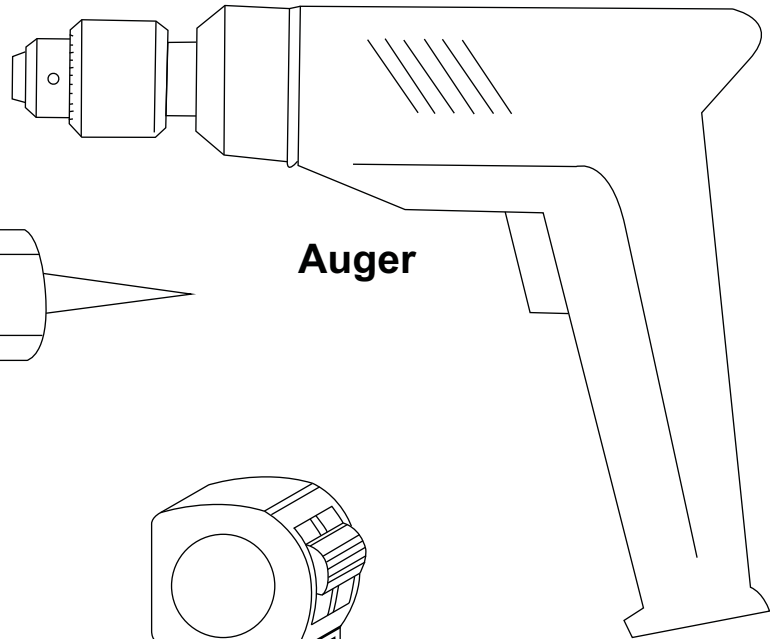
TOOLS REQUIRED (NOT SUPPLIED)

when you're ready to start, make sure that you have the following tools to hand, plenty of space and a clean dry area for assembly.

Two people are needed. Please note: although these instructions are comprehensive, We always recommend that a technically competent installer should undertake installation.

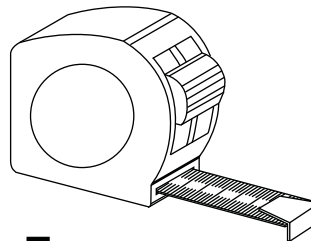
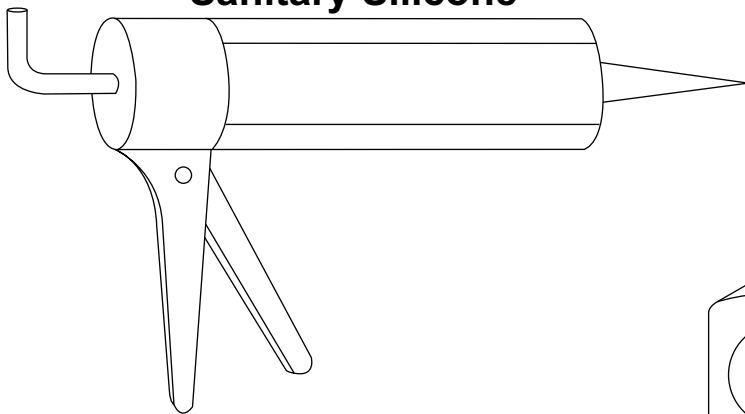


**Drill beat head
4mm**

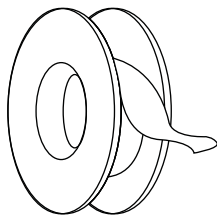


Auger

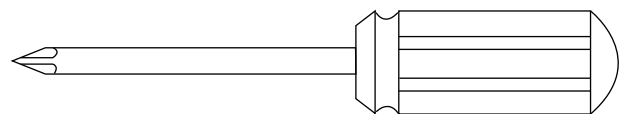
Sanitary Silicone



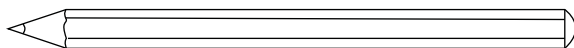
Tape measure



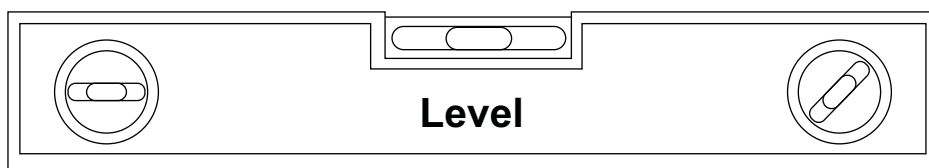
PTFE tape



Magnetic crosshead screwdriver

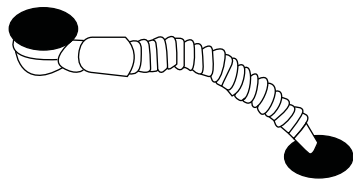
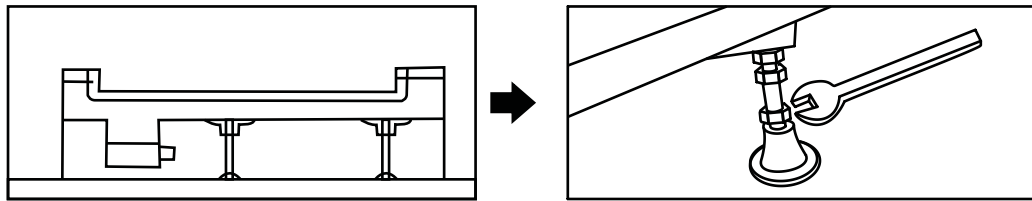
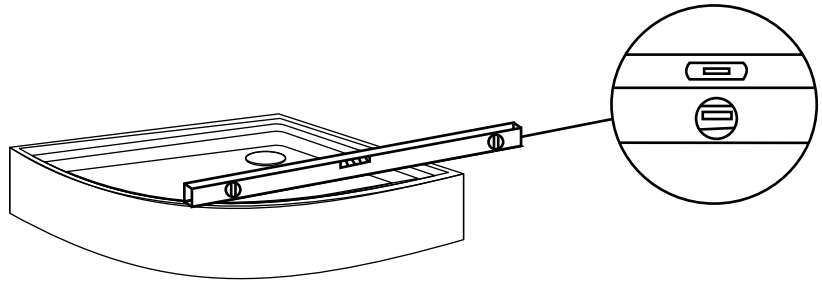


Pencil

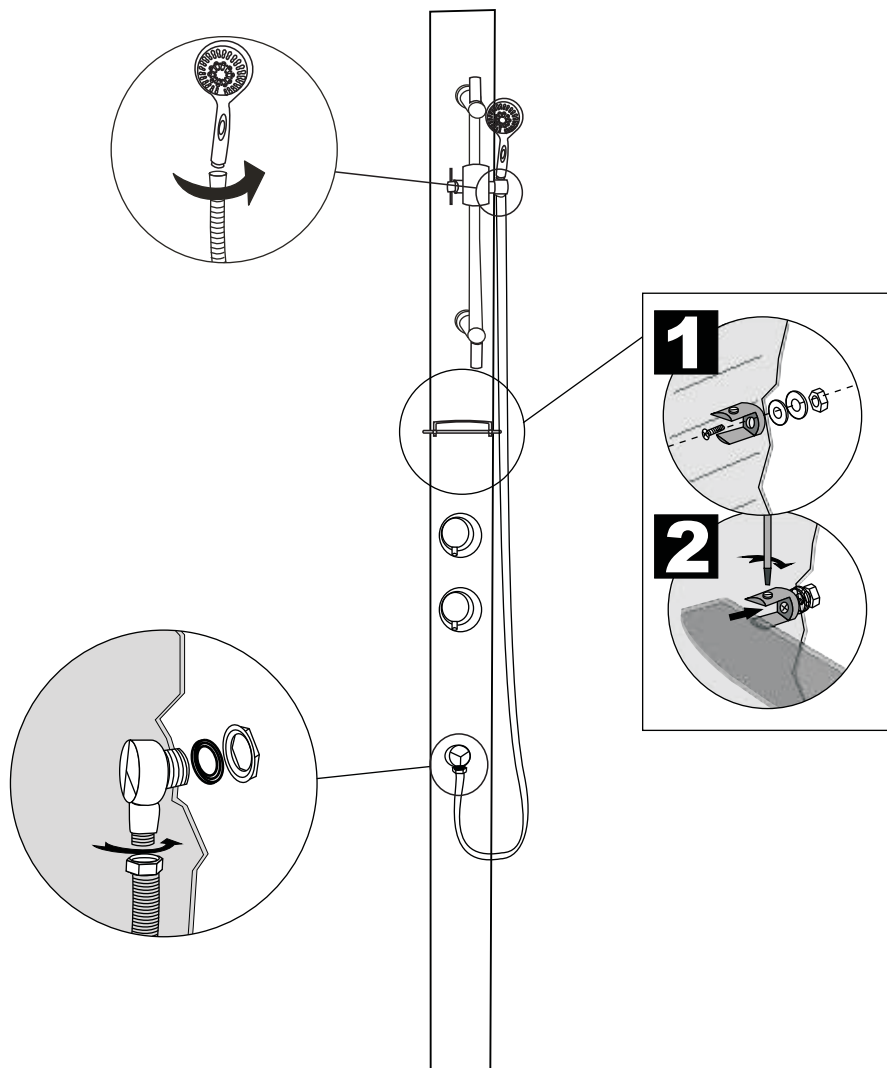


Level

STAR-A Installation instructions

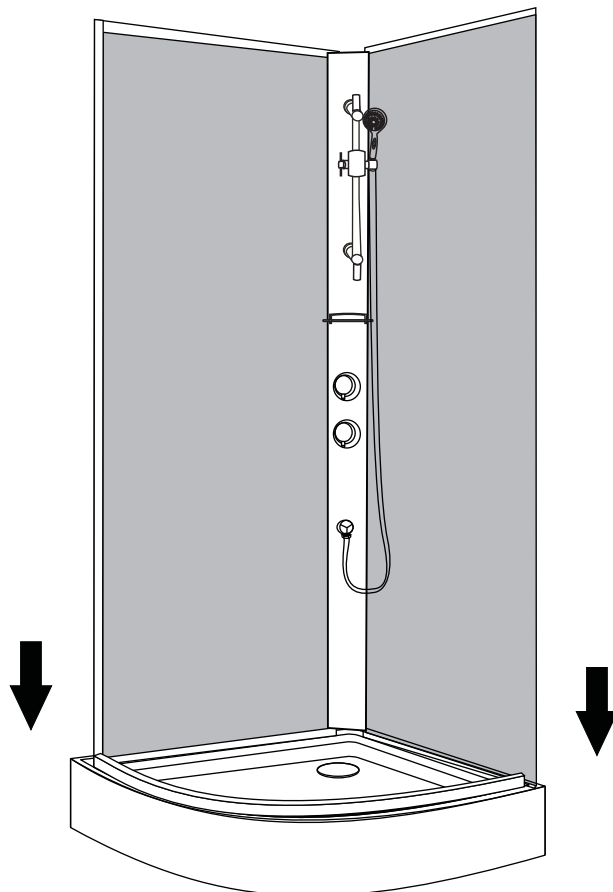
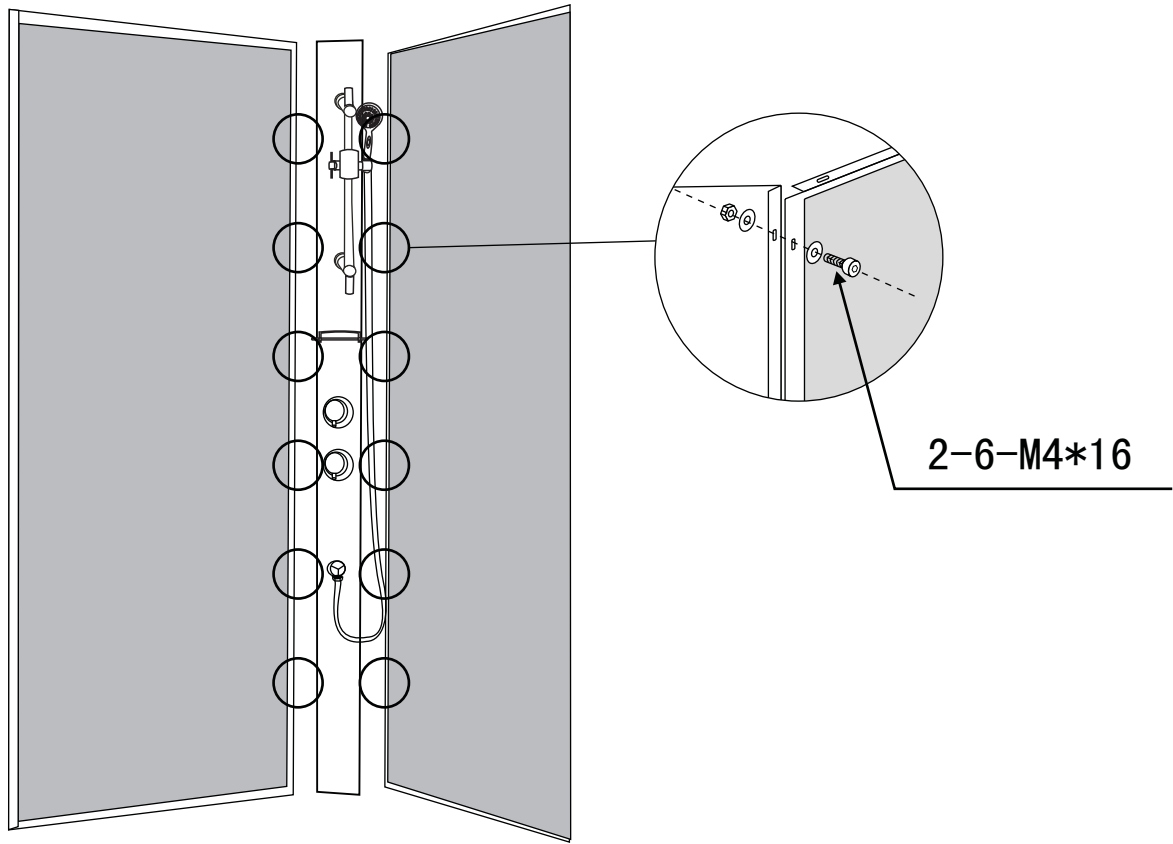


Lift the rear part of bottom basin, and then insert one end of the pipe into the drainage hole

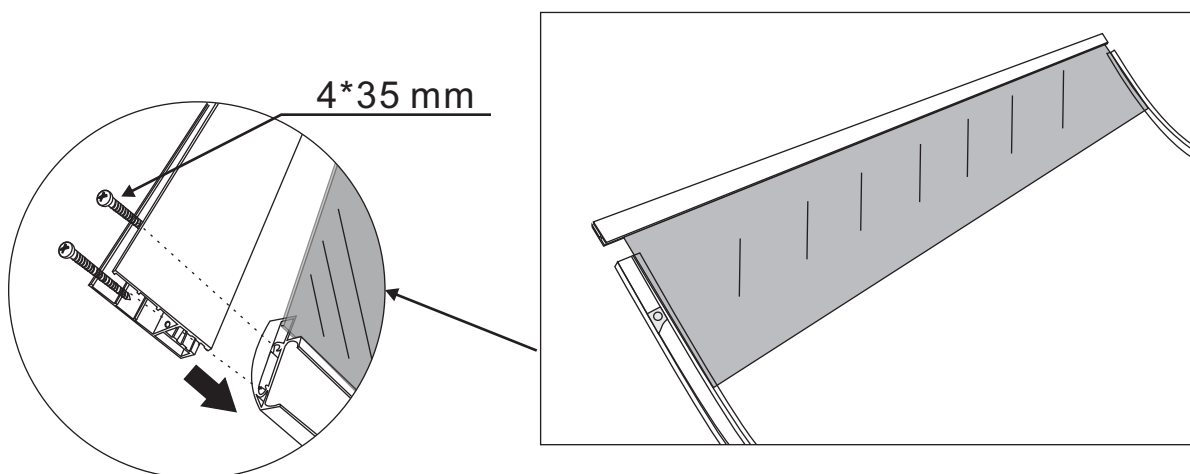
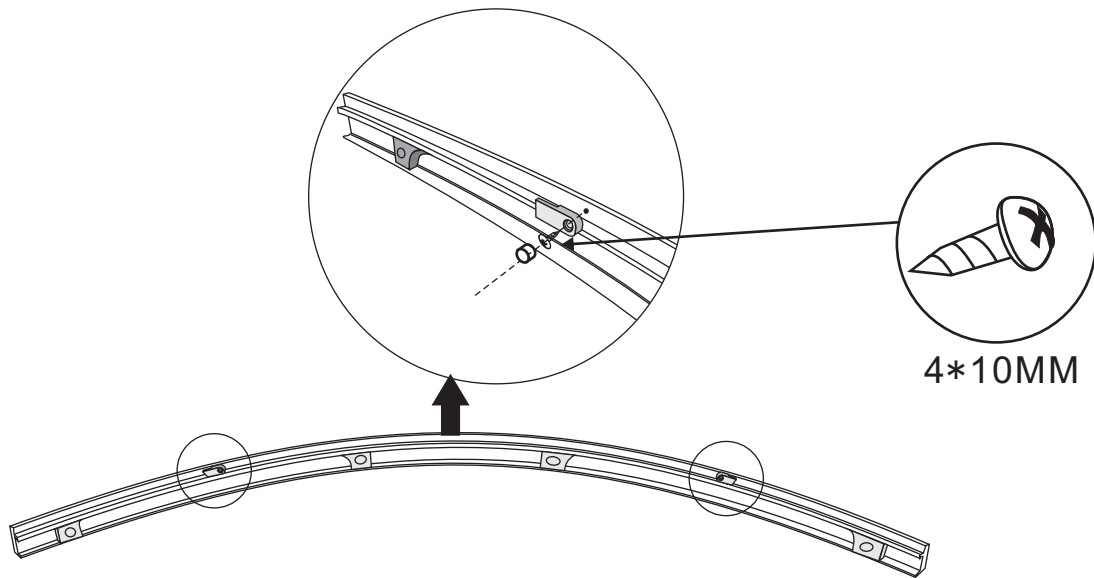


STAR-A

Installation instructions

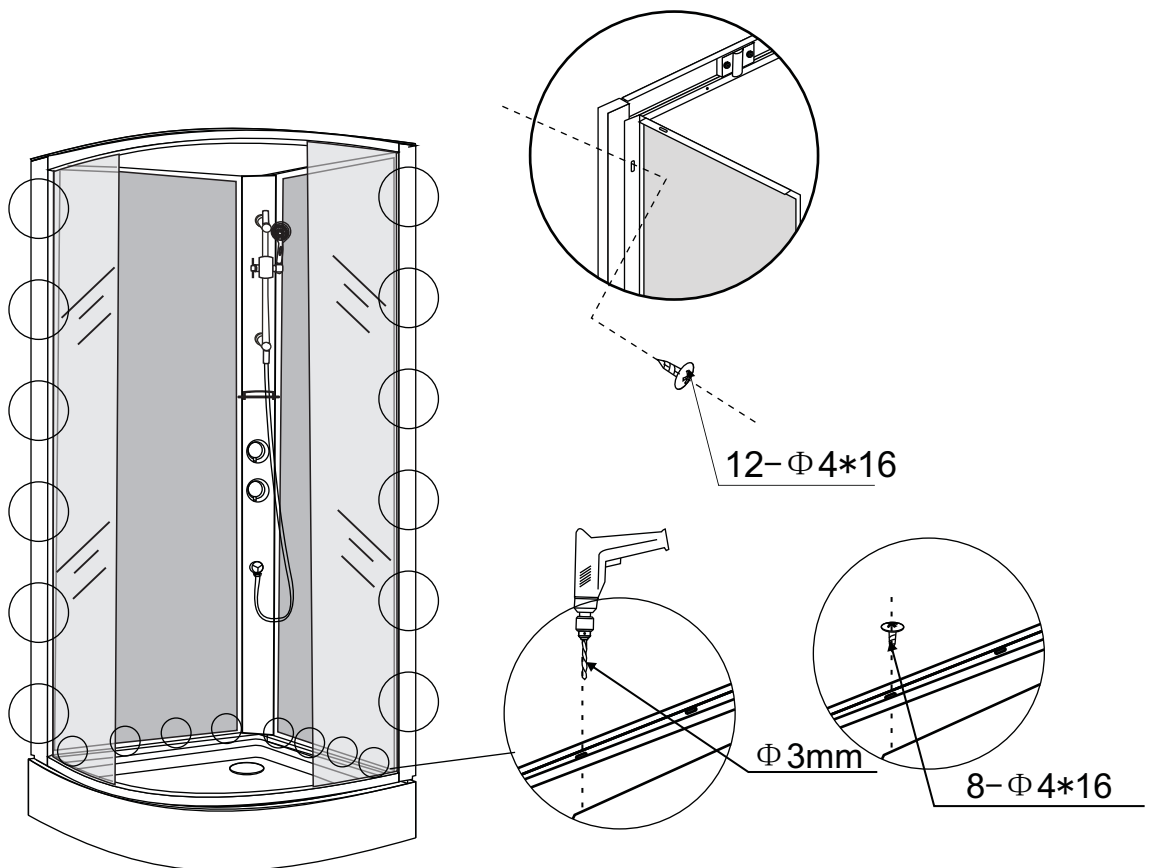
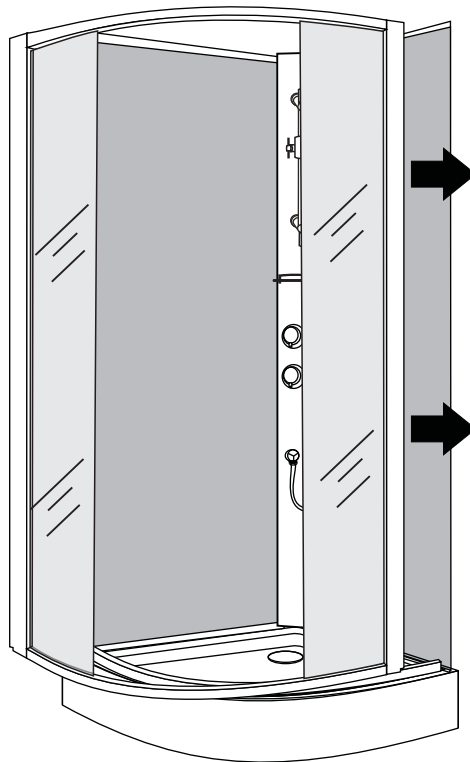


STAR-A Installation instructions

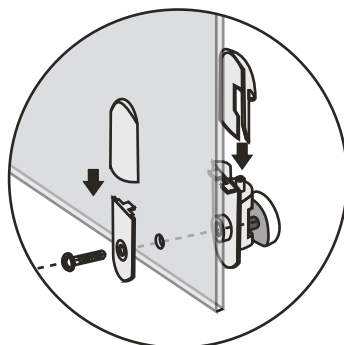
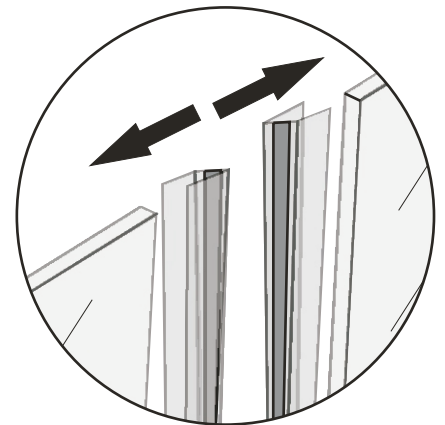
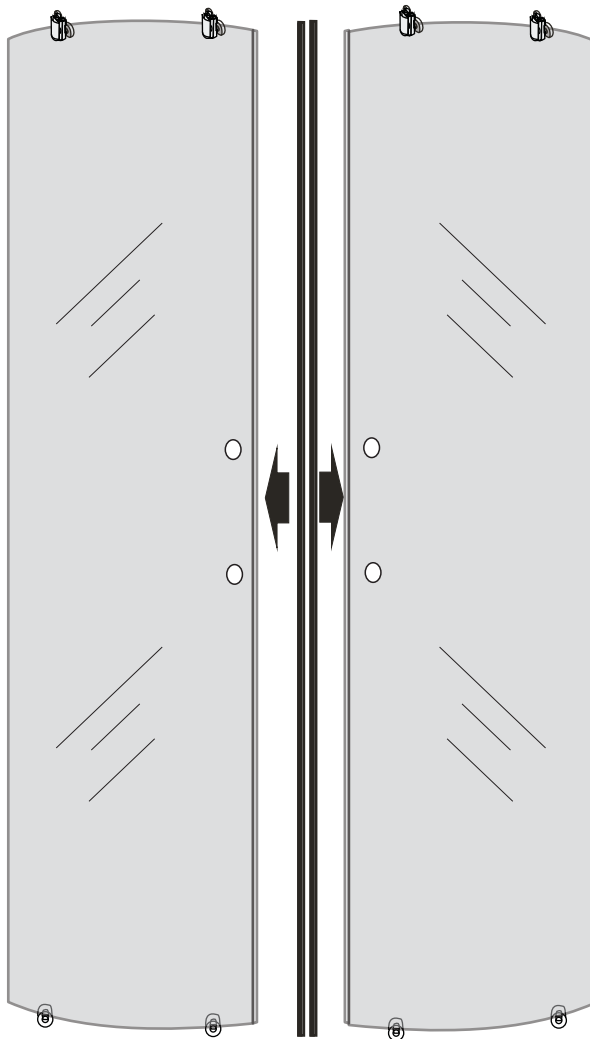
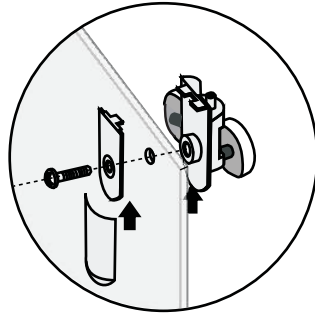


STAR-A

Installation instructions

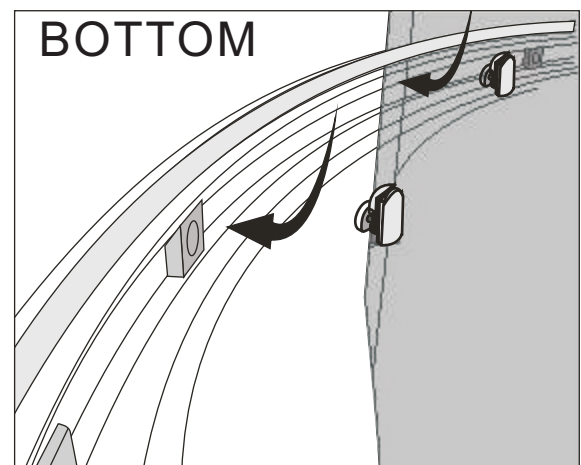
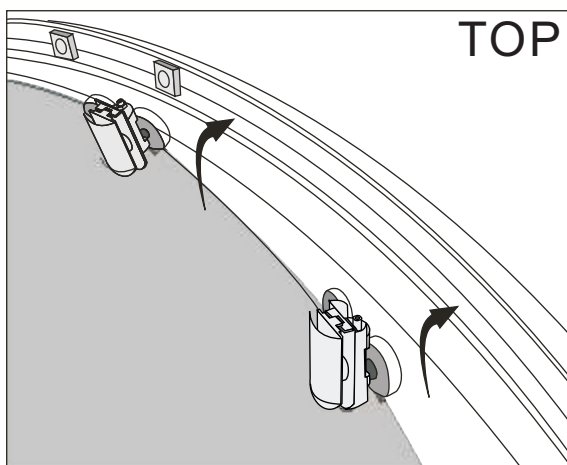
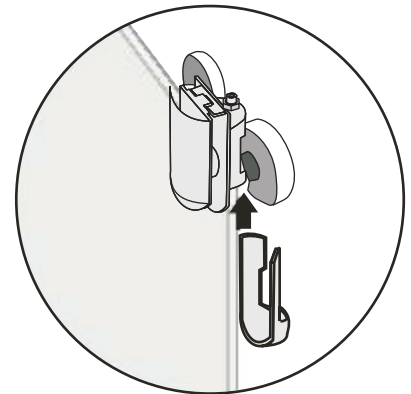
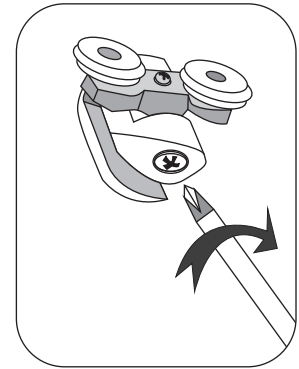


STAR-A Installation instructions

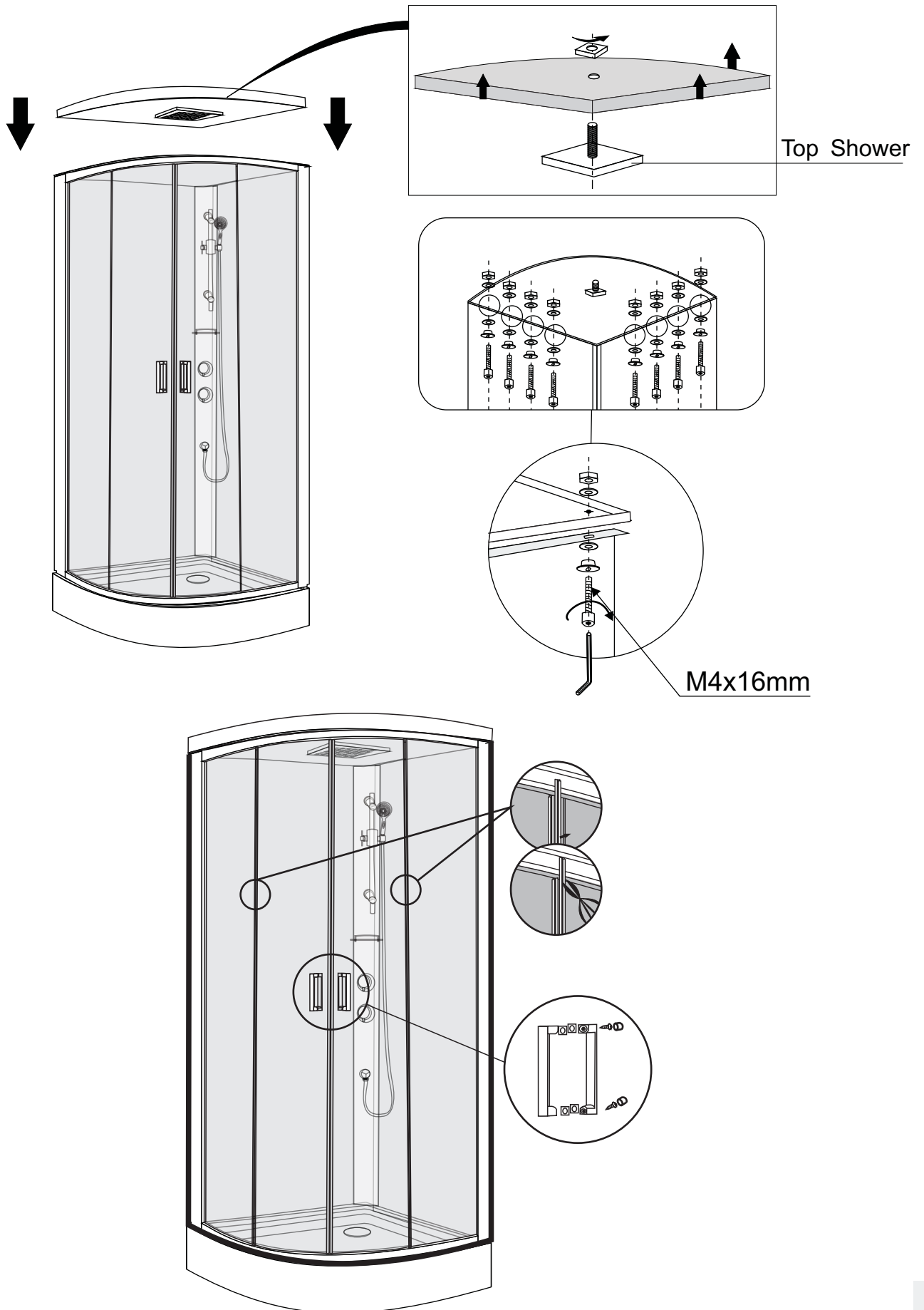


STAR-A

Installation instructions

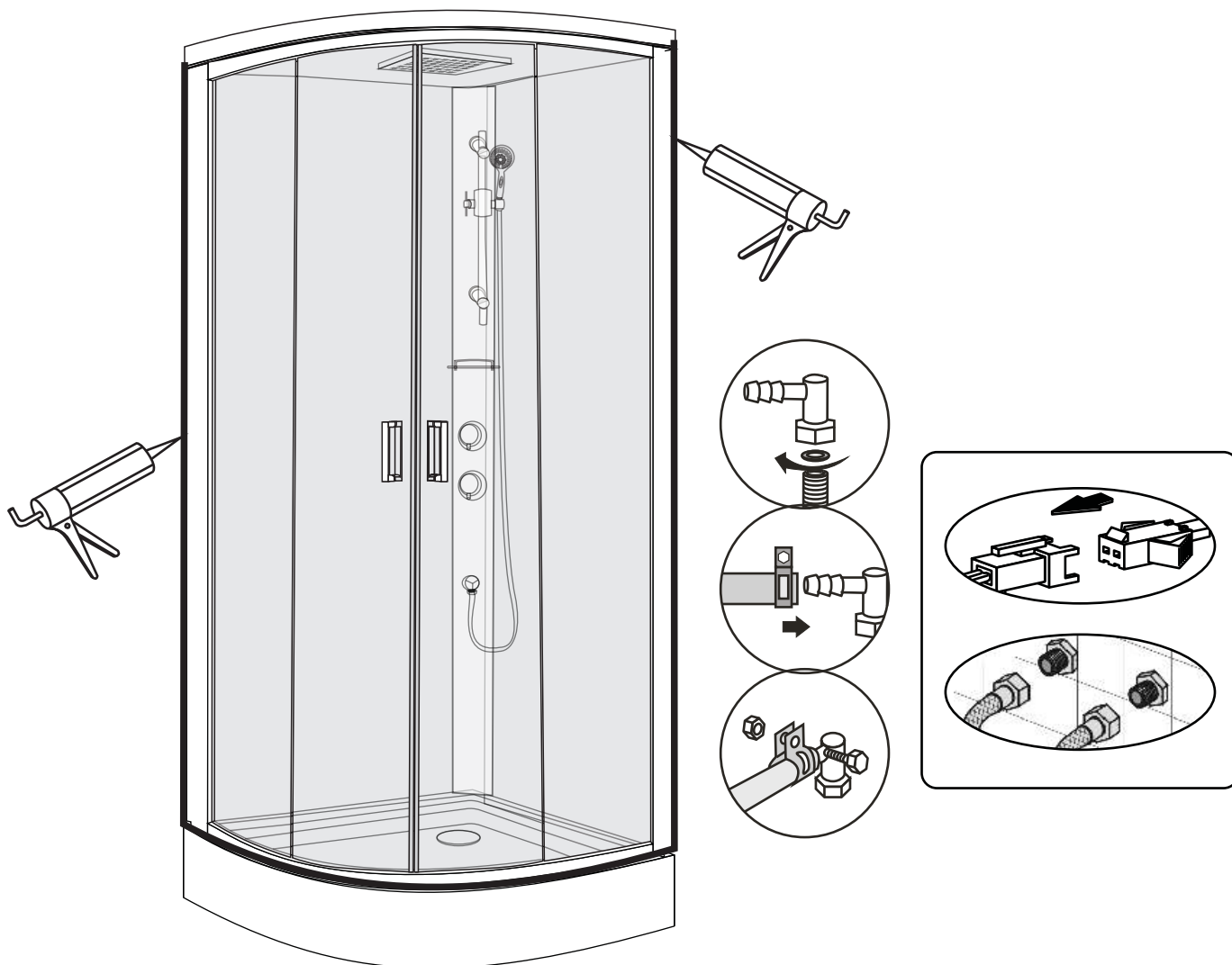


STAR-A Installation instructions

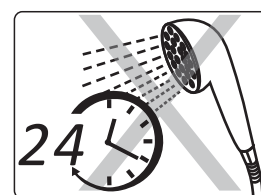


STAR-A

Installation instructions



connect the electrical wire of bunglea,power and etc.correctly,connect the hose of head shower,hot water hose and cold water hose correctly,put the antenna to the top.



STAR-A

Installation instructions

